

Tool Instruction

MaxxForce®11 and 13 AFI Coolant Plug Tool

4328179R1

Tool Number: 12-559-02



0000061062

Figure 1. MaxxForce® 11 and 13 AFI Coolant Plug Tool

Purpose

The AFI Coolant Plugs 12-559-02 are used to plug the coolant supply and return lines at the aftertreatment fuel injector.

Application(s)

MaxxForce® 11 and 13 Engines



GOVERNMENT REGULATION: Engine fluids (oil, fuel, and coolant) may be a hazard to human health and the environment. Handle all fluids and other contaminated materials (such as filters or rags) in accordance with applicable regulations. Recycle or dispose of engine fluids, filters, and other contaminated materials according to applicable regulations.

Application(s) (cont.)



⚠ WARNING: Read all safety instructions in the “Safety Information” section of the *Engine Service Manual* or *Engine Diagnostic Manual* to prevent personal injury or death.

⚠ WARNING: Park vehicle on hard flat surface, turn the engine off, set the parking brake, and block the wheels to prevent the vehicle from moving in either direction. Failure to do so may result in property damage, personal injury, and / or death.

⚠ WARNING: Always wear safe eye protection when performing vehicle maintenance. Failure to do so may result in personal injury and / or death.

Tool Contents

Table 1

Image	Tool Number	Qty	Description
 <p>0000061068</p>	12-559-02	1	Coolant plugs
 <p>0000061227</p>	4328179R1	1	Instruction Sheet

Instructions

Installation

NOTE: Plug threads are identical and will thread into either coolant line.

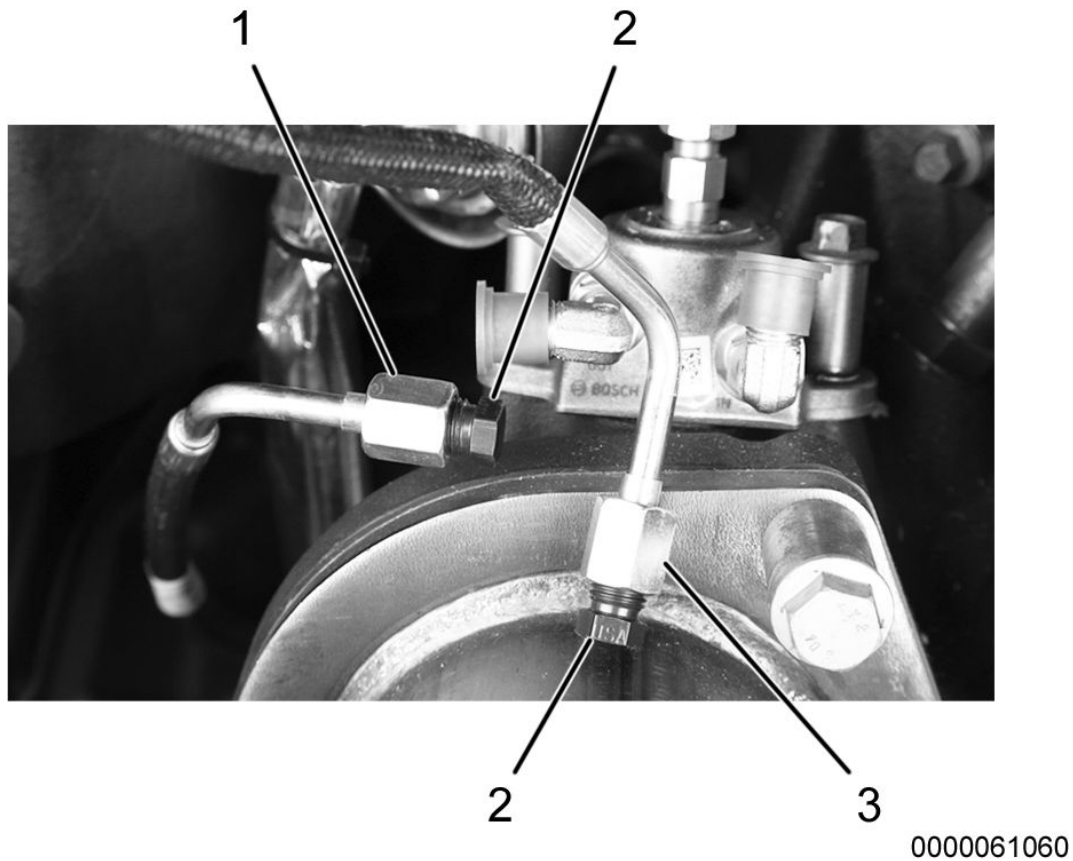


Figure 2. AFI Coolant Plugs.

1. AFI coolant supply line
2. Coolant plug
3. AFI coolant return line

1. Install Coolant Plug (Figure 2, Item 2) into coolant supply line (Figure 2, Item 1) and tighten plug.
2. Install Coolant Plug (Figure 2, Item 2) into coolant return line (Figure 2, Item 3) and tighten plug.

Instructions (cont.)

Removal

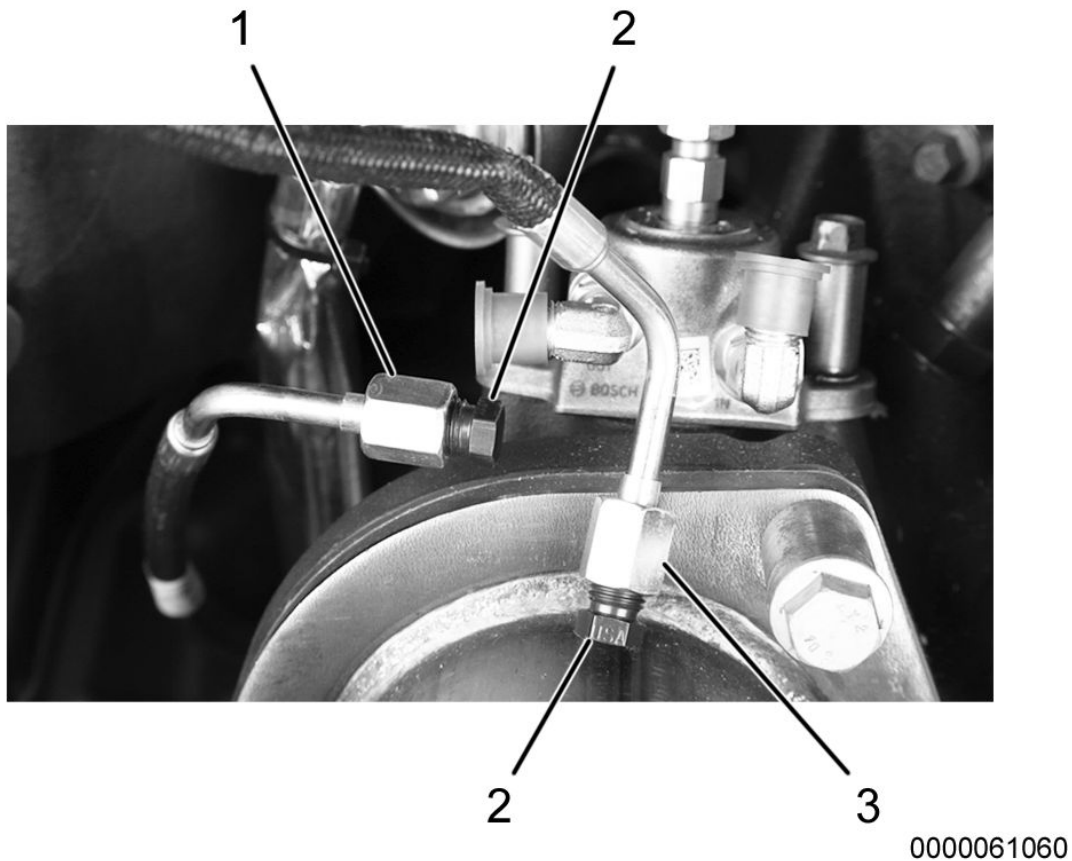


Figure 3. AFI Coolant Plugs.

1. AFI coolant supply line
2. Coolant plug
3. AFI coolant return line

1. Remove coolant plug (Figure 3, Item 2) from coolant supply line (Figure 3, Item 1).
2. Remove coolant plug (Figure 3, Item 2) from coolant return line (Figure 3, Item 3).

Contact Information

If you would like to order additional tools, have questions, concerns, feedback, or need replacement parts, please contact:

Navistar Service Tool Support Center

- Submit a Service Tool iKNow case file
- Phone: 800-365-0088 (Toll-Free) or 630-985-4171