

Tool Instruction Charge Air Cooler (CAC) Adapter Flushing Kit

4328192R2

Tool Number: 09-925-01



000061474

Figure 1. Charge Air Cooler (CAC) Adapter Flushing Kit

NOTE: Figure 1 shows place holders for the CAC Pressure Testing Kit, part number ZTSE4341 to be installed into the carry case. ZTSE4341 is not part of the Charge Air Cooler (CAC) Adapter Flushing Kit 09-925-01, but the carry case allows the ZTSE4341 pressure test kit to be stored in the case.

Purpose

The 09-925-01 Charge Air Cooler (CAC) Adapter Flushing Kit provides adapters to enable use of the Navistar 12-353-01 Cleaning Management System to clean contaminated charge air coolers.

Application(s)

2004 and later model vehicles equipped with charge air coolers.



GOVERNMENT REGULATION: Engine fluids (oil, fuel, and coolant) may be a hazard to human health and the environment. Handle all fluids and other contaminated materials (such as filters or rags) in accordance with applicable regulations. Recycle or dispose of engine fluids, filters, and other contaminated materials according to applicable regulations.



WARNING: Read all safety instructions in the “Safety Information” section of the *Engine Service Manual* or *Engine Diagnostic Manual* to prevent personal injury or death.



WARNING: Park vehicle on hard flat surface, turn the engine off, set the parking brake, and block the wheels to prevent the vehicle from moving in either direction. Failure to do so may result in property damage, personal injury, and / or death.



WARNING: Always wear safe eye protection when performing vehicle maintenance. Failure to do so may result in personal injury and / or death.

Tool Contents



0000061474

Figure 2. Charge Air Cooler (CAC) Adapter Flushing Kit

NOTE: The image shows the optional CAC Pressure Testing Kit, part number ZTSE4341 installed into the carry case. ZTSE4341 is not part of the Charge Air Cooler (CAC) Adapter Flushing Kit 09-925-01, but the carry case allows the ZTSE4341 Pressure Test Kit to be stored in the case.




Tool Contents (cont.)

Table 1

Image	Tool Number	Qty	Description
 <p>000061480</p>	09-925-01-01	2	CAC Adapter
 <p>000061477</p>	09-925-01-02	2	4-in x 9-in Hose
 <p>000061478</p>	09-925-01-03	2	3.5-in x 9-in Hose
 <p>000061479</p>	09-925-01-04	2	3-in x 6-in Hose
 <p>000061210</p>	09-925-01-05	4	4-in T-Clamp with Knob

Tool Contents (cont.)

Table 1. (cont.)

Image	Tool Number	Qty	Description
 <p>0000061217</p>	09-925-01-06	4	3.5-in T-Clamp with Knob
 <p>0000061216</p>	09-925-01-07	4	3-in T-Clamp with Knob
 <p>0000160075</p>	4328192R2	1	Tool Instructions

Instructions

Charge Air Cooler (CAC) Cleaning Kit

Installation

NOTE: For complete service procedure, refer to TSI 13-12-17R1 on the International® Service PortalSM.

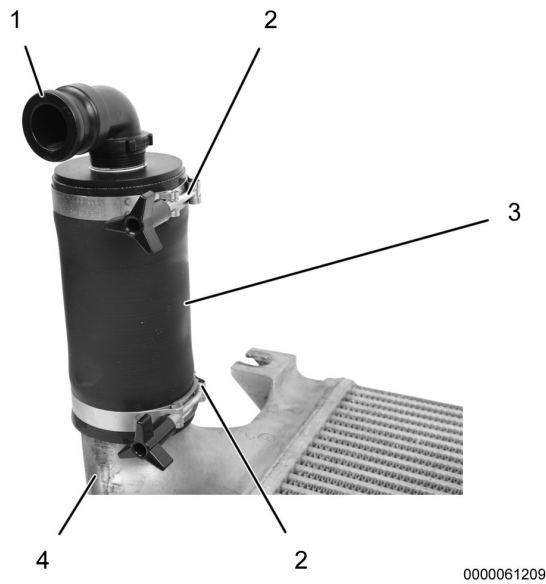


Figure 3. CAC Outlet Adapter

1. CAC adapter
2. T-clamp (2)
3. Large hose
4. CAC outlet

1. With Charge Air Cooler (CAC) on a flat surface, install large hose (Figure 3, Item 3) on CAC outlet (Figure 3, Item 4) with T-clamp (Figure 3, Item 2).
2. Install adapter (Figure 3, Item 1) in large hose (Figure 3, Item 3) with T-clamp (Figure 3, Item 2).

Instructions (cont.)

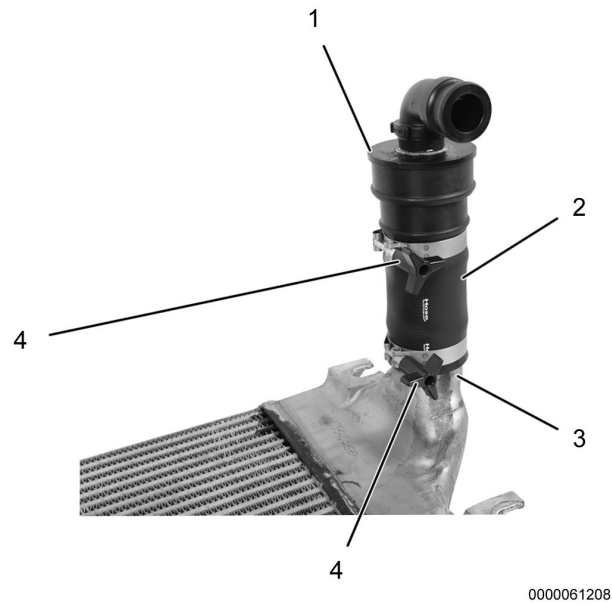


Figure 4. CAC Inlet Adapter

1. CAC adapter
2. Small hose
3. CAC inlet
4. T-clamp (2)

3. Install small hose (Figure 4, Item 2) on CAC inlet (Figure 3, Item 3) with T-clamp (Figure 4, Item 4).
4. Install CAC adapter (Figure 4, Item 1) in small hose (Figure 3, Item 2) with T-clamp (Figure 4, Item 4).

Instructions (cont.)

Removal

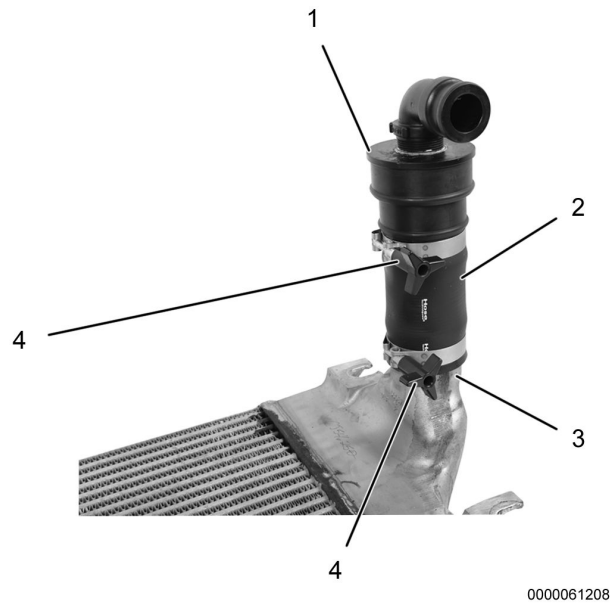


Figure 5. CAC Inlet Adapter

1. CAC adapter
2. Small hose
3. CAC inlet
4. T-clamp (2)

1. Remove T-clamp (Figure 4, Item 4) and adapter (Figure 5, Item 1) from small hose (Figure 5, Item 2).
2. Remove T-clamp (Figure 4, Item 4) and small hose (Figure 5, Item 2) from CAC inlet (Figure 5, Item 3).

Instructions (cont.)

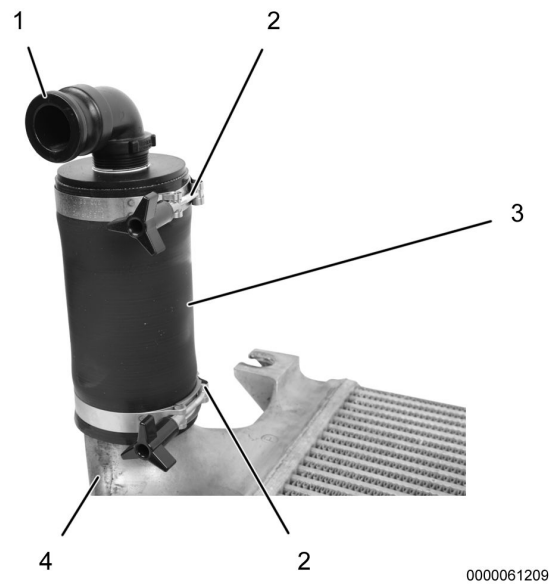


Figure 6. CAC Outlet Adapter

1. CAC adapter
2. T-clamp (2)
3. Large hose
4. CAC outlet

3. Remove T-clamp (Figure 5, Item 2) and CAC adapter (Figure 6, Item 1) from large hose (Figure 6, Item 3).
4. Remove T-clamp (Figure 5, Item 2) and large hose (Figure 6, Item 3) from CAC outlet (Figure 6, Item 4).

Contact Information

If you would like to order additional tools, have questions, concerns, feedback, or need replacement parts, please contact:

Navistar Service Tool Support Center

- Submit a Service Tool iKNow case file
- Phone: 800-365-0088 (Toll-Free) or 630-985-4171