

Tool Instruction I-6 Injector Sleeve Removal Tool

4328193R1

Tool Number: 12-342-01



0000061881

Figure 1. I-6 Injector Sleeve Removal Tool.

Purpose

The I-6 Injector Sleeve Removal Tool 12-342-01 is designed to remove the fuel injector sleeve from the fuel injector bore.

Application(s)

International® DT466, DT570 and HT570 (EPA 04)

MaxxForce® DT 9, and 10 (EPA 07).

MaxxForce® DT 9, and 10 (EPA 10).

Application(s) (cont.)

MaxxForce® DT 9, and 10 (EPA 10) with HD-OBD.



GOVERNMENT REGULATION: Engine fluids (oil, fuel, and coolant) may be a hazard to human health and the environment. Handle all fluids and other contaminated materials (e.g. filters, rags) in accordance with applicable regulations. Recycle or dispose of engine fluids, filters, and other contaminated materials according to applicable regulations.

! WARNING: To prevent personal injury or death, read all safety instructions in the Safety Information section of the Service and Diagnostic Engine Manuals for the engine model being serviced.





! WARNING: To prevent personal injury or death, do not let engine fluids stay on your skin. Clean skin and nails using hand cleaner and wash with soap and water. Wash or discard clothing and rags contaminated with engine fluids.

! WARNING: To prevent personal injury or death, shift transmission to park or neutral, set parking brake, and block wheels before doing diagnostic or service procedures.

! WARNING: To prevent personal injury or death, allow engine to cool before draining coolant.

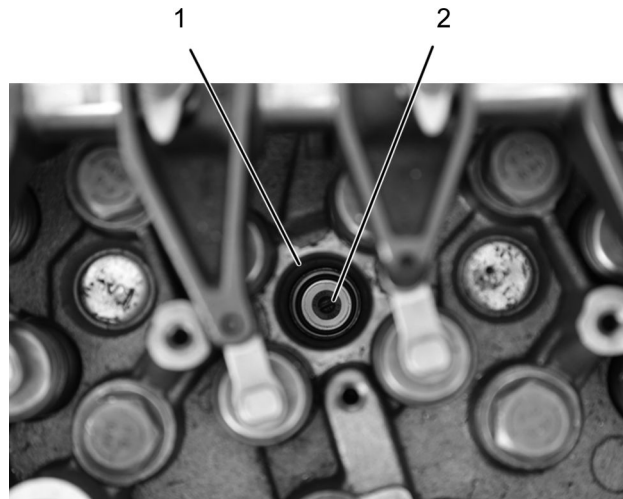
Tool Contents

Table 1

Image	Tool Number	Qty	Description
 <p>0000061947</p>	12-342-01-01	1	Injector Cup Remover Assembly
 <p>0000061887</p>	12-342-01-05	1	Tap and Guide Assembly
 <p>0000061888</p>	12-342-01-09	10	Protective Plugs
 <p>0000061948</p>	4328193R1	1	Instructions

Instructions

Tool Installation



0000061882

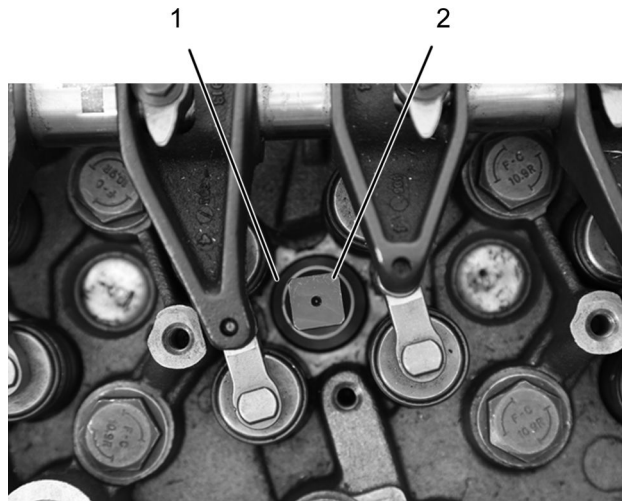
Figure 2. Protective Plug.

1. Injector sleeve
2. Protective plug

CAUTION: Protective plugs must be installed into center hole of Injector sleeve to prevent chips from falling into cylinder.

1. Using long needle nose pliers or other suitable tool, install protective plug (Figure 2, Item 2) into center of injector sleeve (Figure 2, Item 1).

Instructions (cont.)



000061884

Figure 3. Injector Sleeve.

1. Injector sleeve
 2. Tap and guide assembly
-
2. Install tap and guide assembly (Figure 3, Item 2) into center of injector sleeve (Figure 3, Item 1). Using a suitable tool, thread tap into injector sleeve until it bottoms out on guide housing.
 3. Remove tap and guide assembly (Figure 3, Item 2) from injector sleeve (Figure 3, Item 1).

Instructions (cont.)

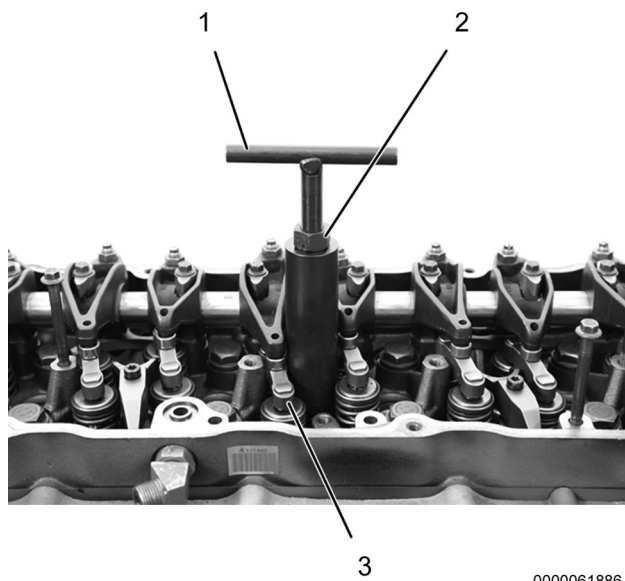
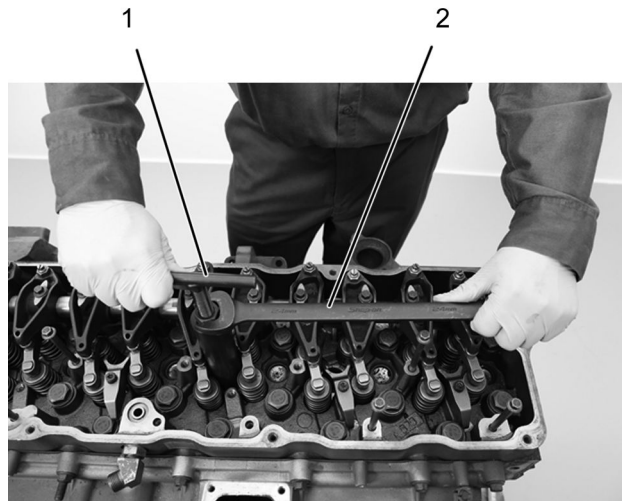


Figure 4. Injector Removal Tool.

1. Tee handle
 2. Injector sleeve removal tool
 3. Injector sleeve
4. Position injector sleeve removal tool (Figure 4, Item 2) into injector bore (Figure 4, Item 3) and using tee handle of tool (Figure 4, Item 1), thread injector sleeve removal tool into sleeve until it bottoms out.

Instructions (cont.)



0000061885

Figure 5. Thread Sleeve.

1. Tee handle
 2. Wrench
5. Using suitable wrench (Figure 5, Item 2), hold injector sleeve removal tool nut. Hold injector sleeve removal tool tee handle (Figure 5, Item 1) and rotate injector sleeve removal tool nut clockwise until injector sleeve is extracted from injector bore.

Instructions (cont.)

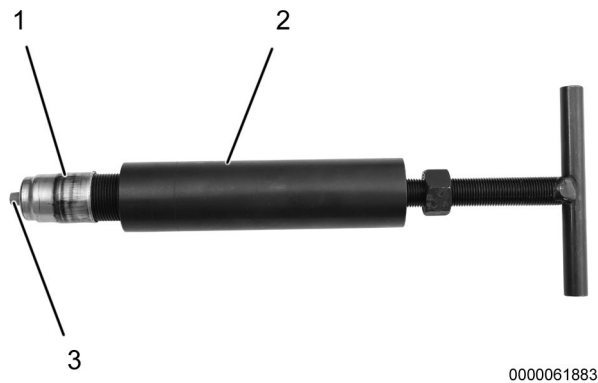


Figure 6. Injector Sleeve Removal.

1. Old injector sleeve
2. Injector sleeve removal tool
3. Protective plug

Tool Removal

1. Remove old injector sleeve (Figure 6, Item 1) from injector sleeve removal tool (Figure 6, Item 2).
2. Remove protective plug (Figure 6, Item 3) from old injector sleeve (Figure 6, Item 1).
3. Store Injector sleeve removal tool for reuse.

Contact Information

If you would like to order additional Tools, have questions, concerns, feedback, or need replacement parts, please contact the Navistar Service Tool Support Center:

- Phone: 800-365-0088 (Toll Free) or 630-985-4171.
- Submit a Service Tool iKNOW Case File.