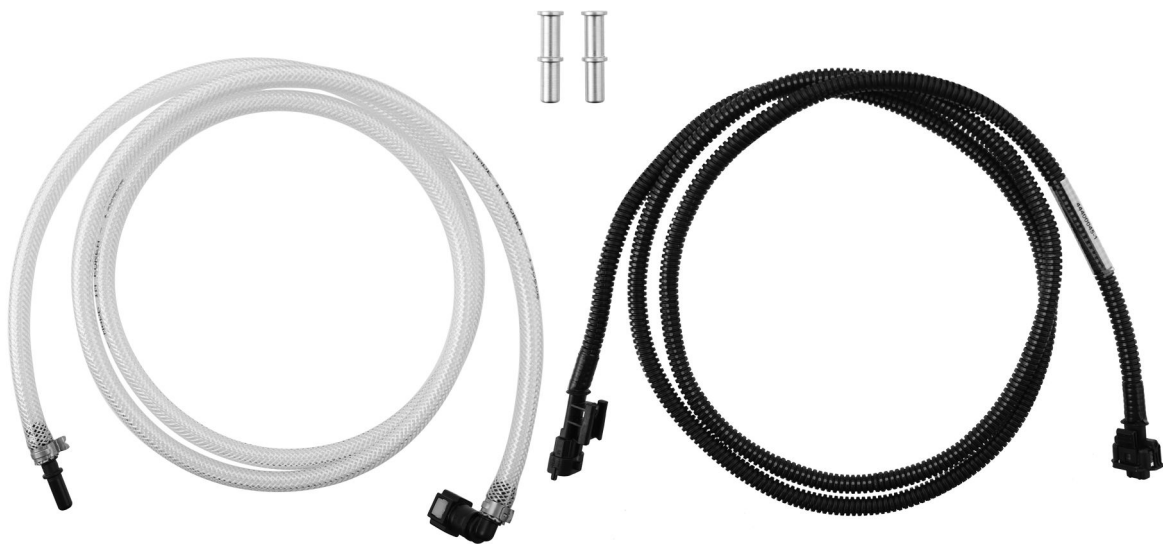


Tool Instruction Diesel Exhaust Fluid (DEF) Dosing Injector Spray Test Kit

4328204R1

Tool Number: 18-559-01



0000159824

Figure 1. Diesel Exhaust Fluid (DEF) Dosing Injector Spray Test Kit – 18-559-01.

Purpose

The Diesel Exhaust Fluid (DEF) Dosing Injector Spray Test Kit 18-559-01 is designed to validate performance of the Diesel Exhaust Fluid (DEF) dosing system based on the amount of DEF flow for a fixed amount of time.

Application(s)

N13 with SCR

Application(s) (cont.)



GOVERNMENT REGULATION: Engine fluids (oil, fuel, and coolant) may be a hazard to human health and the environment. Handle all fluids and other contaminated materials (e.g. filters, rags) in accordance with applicable regulations. Recycle or dispose of engine fluids, filters, and other contaminated materials according to applicable regulations.

! WARNING: To prevent personal injury or death, read all safety instructions in the Safety Information section of the Service and Diagnostic Engine Manuals for the engine model being serviced.

! WARNING: To prevent personal injury or death, do not let engine fluids stay on your skin. Clean skin and nails using hand cleaner and wash with soap and water. Wash or discard clothing and rags contaminated with engine fluids.

! WARNING: To prevent personal injury or death, shift transmission to park or neutral, set parking brake, and install wheel chocks to prevent the vehicle from moving in either direction before doing diagnostic or service procedures.

! WARNING: To prevent personal injury or death, allow engine to cool before draining coolant.

! WARNING: To prevent personal injury or death, keep away from children and pets. Coolant is toxic. If not reused, dispose of in accordance with local environmental regulations.





! WARNING: To prevent personal injury or death, when inspecting or performing service or repairs on the fuel system, to reduce the possibility of fire and resulting severe personal injury, death or property damage, never smoke or allow sparks or flames (such as pilot lights, electrical switches, or welding equipment) in the work area. Depending on the circumstance, diesel fuel can be flammable.

! WARNING: Always wear safe eye protection when performing vehicle maintenance. Failure to do so may result in personal injury and / or death

CAUTION: To prevent damage to the vehicle or engine, read all safety instructions in the Safety Information section of the Service and Diagnostic Engine Manuals for the engine model being serviced.

Tool Contents

Table 1

Image	Tool Number	Qty	Description
 <p>0000159827</p>	18-559-01-01	1	Harness Extension
 <p>0000159831</p>	18-559-01-02	1	Line Plugs
 <p>0000159830</p>	18-559-01-03	1	Braided Line
 <p>0000160075</p>	4328204R1	1	Tool Instructions

Instructions

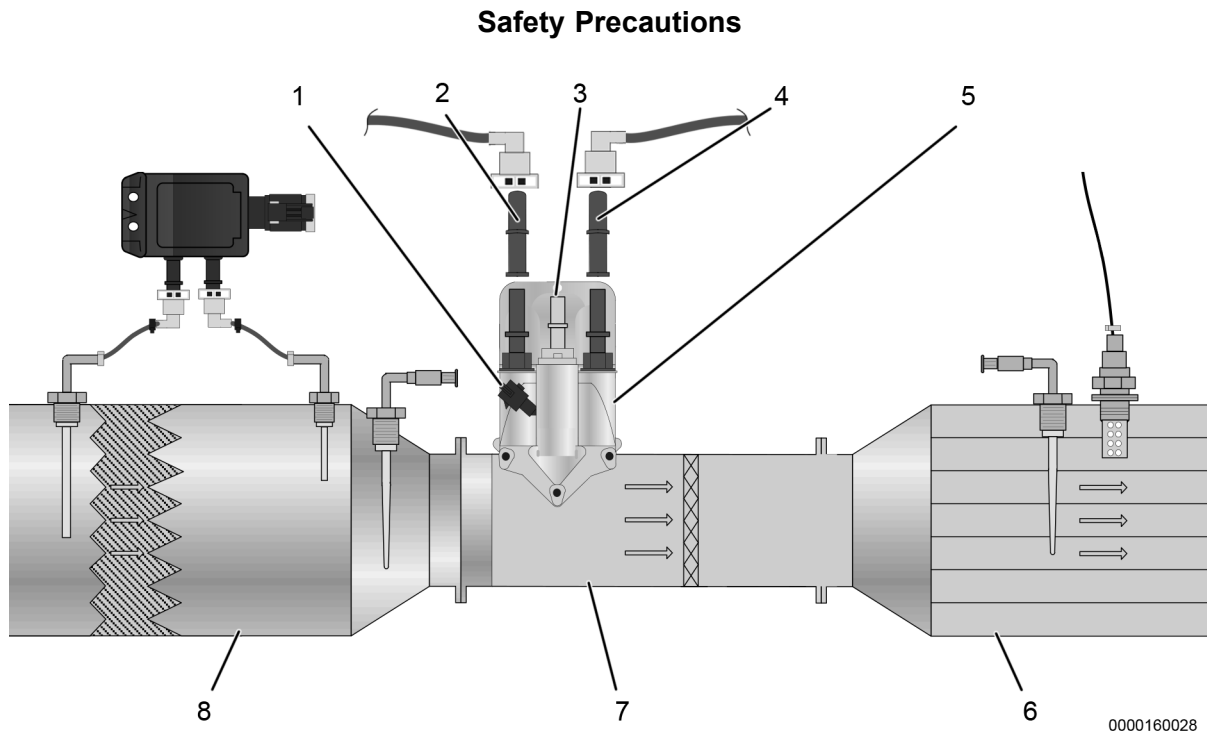


Figure 2. Diesel Exhaust Fluid (DEF) Dosing Injector Spray Test Kit Connection Overview.

- | | | |
|--|--|------------------------------------|
| 1. 18-559-01-01 Harness Extension Connection | 4. 18-559-01-02 Line Plug | 8. Diesel particulate filter (DPF) |
| 2. 18-559-01-02 Line Plug | 5. DEF doser valve (DEFDV) | |
| 3. 18-559-01-03 Braided Line Connection | 6. Selective catalyst reduction (SCR) catalyst | |
| | 7. Decomposition reactor tube | |

1. Refer to appropriate engine diagnostic manual for DEF dosing injector spray test kit connection (Figure 2), DEF dosing injector spray test procedure, and tool removal procedure.

CAUTION: After testing, drain all fluids from tools, and thoroughly rinse braided line and any components contaminated with DEF using distilled water. DEF is corrosive to brass, copper and other metals.

2. Drain all fluids, and wipe tools dry with a clean rag before storing.

Contact Information

If you would like to order additional Tools or need replacement parts, please refer to the [Navistar Service Tool Catalog](#). If you have questions, concerns, or feedback, please contact [Navistar Service Tool Support Center](#):

- Phone: 800-365-0088 (Toll Free) or 630-985-4171.
- Submit a Service Tool iKNOW Case File.