

Tool Instruction SMALL O-RING REPLACEMENT KIT

4328412R1

Tool Number: KL20030-4-GK

Purpose

O-ring Replacement Kit for KL20030-4 component of KL20030NAV EGR Leak Detection Kit.

Application(s)

KL20030NAV EGR Leak Detection Kit

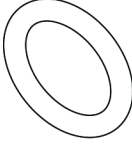

⚠ WARNING: To prevent property damage, personal injury, and / or death, read all safety instructions in the "Safety Information" section of the *Engine Service Manual* or *Engine Diagnostic Manual*.

⚠ WARNING: To prevent property damage, personal injury, and / or death, park vehicle on hard flat surface, turn the engine off, set the parking brake, and install wheel chocks to prevent the vehicle from moving in either direction.

⚠ WARNING: To prevent personal injury and / or death, always wear safe eye protection when performing vehicle maintenance.

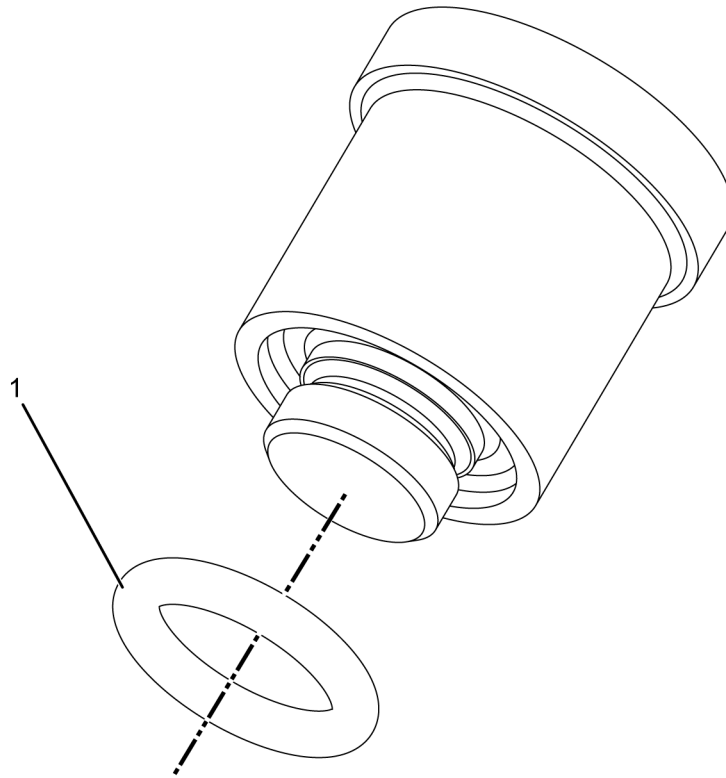
Tool Contents

Table 1

Image	Tool Number	Qty	Description
 <p>0000405666</p>	KL20030-4-GK	2	O-Ring
 <p>0000160075</p>	4328412R1	1	Tool Instruction

Instructions

NOTE: Please reference International® Service PortalSM regarding any possible revisions to this document.



0000405672

Figure 1. O-Ring Location

1. O-ring

1. Remove worn O-rings (Figure 1, Item 1).
2. Obtain kit-supplied O-ring and lubricate with oil.
3. Install kit-supplied O-ring.

Contact Information

If you would like to order additional tools or need replacement parts, please refer to the Navistar Service Tool Catalog. If you have questions, concerns, or feedback, please contact Navistar Service Tool Support Center:

- Submit a Service Tool iKnow Case File.
- Phone: 800-365-0088 (toll free).