

Tool Instruction Transmission Jack Adapter Plate

4328569R1

Tool Number: RR1067TR



0000431579

Figure 1. RR1067TR – Transmission Jack Adapter Plate

Purpose

The adapter plate helps technicians to remove, install, and transport the Eaton® Endurant™ Transmission. It securely mounts the transmission to any standard heavy-duty transmission jack.

Application(s)

International® LT®, RH™, and LoneStar® Series Vehicles

Application(s) (cont.)

⚠ WARNING: To prevent personal injury and / or death, read all safety instructions in the “Safety Information” section of the *Engine Service Manual* or *Engine Diagnostic Manual*.

⚠ WARNING: To prevent property damage, personal injury, and / or death, park vehicle on hard flat surface, turn the engine off, set the parking brake, and install wheel chocks to prevent the vehicle from moving in either direction.



⚠ WARNING: To prevent personal injury and / or death, always wear safe eye protection when performing vehicle maintenance.

⚠ WARNING: To prevent property damage, personal injury, and / or death, inspect tool for wear / damage prior to use. Replace any worn or damaged components as necessary.

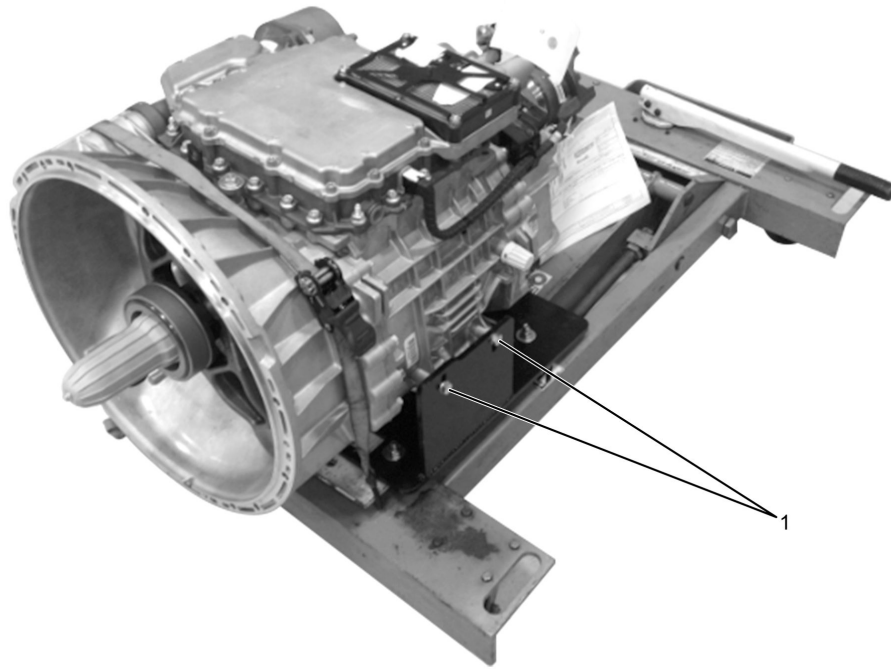
⚠ WARNING: To prevent property damage, personal injury, and / or death, use ratchet straps to secure the transmission to the jack when the transmission is being installed or removed.

Tool Contents

Table 1

Image	Tool Number	Qty	Description
 0000431580	RR1067TR	1	Transmission Jack Adapter Plate
 0000160075	4328569R1	1	Tool Instruction

Instructions



0000431637

Figure 2. Eaton® Endurant™ Adapter Plate

1. M10 X 1.5 X 20 mm bolts (2)
1. Refer to appropriate Eaton® Service Manual for detailed instructions.
2. Additional holes may need to be drilled into Eaton® Endurant™ adapter plate in order to mount plate to transmission jack.
3. Use two M10 x 1.5 x 20 mm bolts to secure Eaton® Endurant™ transmission to adapter plate (Figure 2, Item 1)

Care and Maintenance

- Keep tools clean and free of contaminants
- Replace any damaged components

Contact Information

If you would like to order additional tools or need replacement parts, please refer to the Navistar Service Tool Catalog. If you have questions, concerns, or feedback, please contact Navistar Service Tool Support Center:

- Submit a Service Tool iKNOW Case File.
- Phone: 800-365-0088 (toll free).