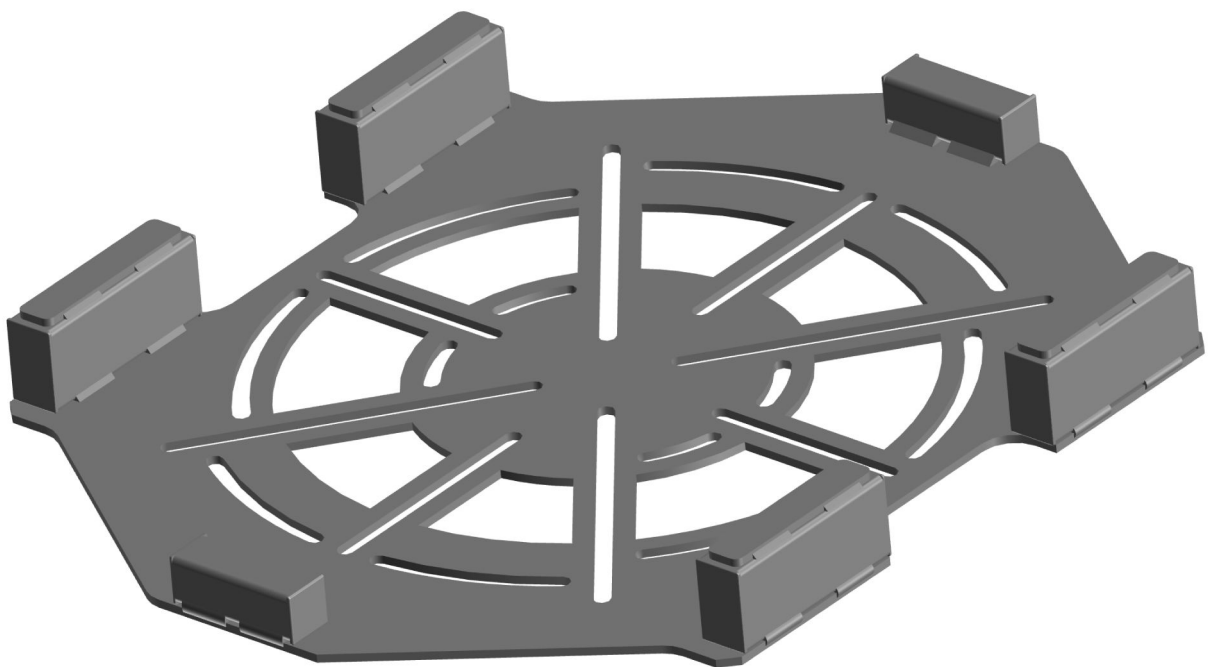


Tool Instruction 08-529-04 High-Voltage Battery Adapter Plate

4328806R1

Tool Number: 08-529-04



0000470373

Figure 1. 08-529-04 High-Voltage Battery Adapter Plate

Purpose

The High-Voltage Battery Adapter Plate stabilizes the high-voltage battery stack assemblies on the lift table during removal and installation.

Application(s)

2021 IC Bus® Electric CE Series

2021 International® eMV™ Series

Other vehicle applications may apply

⚠ WARNING: To prevent personal injury and / or death, or damage to property, read all safety instructions in the “Safety Information” section of the *Service / Technician Manual*.

⚠ WARNING: To prevent personal injury and / or death, or damage to property, park vehicle on hard flat surface, turn ignition to Key OFF position, and make sure vehicle is completely shut down, set the parking brake, and install wheel chocks to prevent the vehicle from moving in either direction.

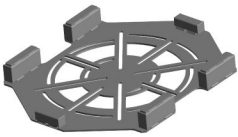

⚠ WARNING: To prevent personal injury and / or death, do not touch the high-voltage system or any orange device without wearing appropriate high-voltage Personal Protection Equipment (PPE). The PPE should include: insulated gloves, safety goggles, and insulated safety boots rated up to at least 1000 volts. It should also include a nonconductive object, about 5 ft. (1.5 m) long, to safely push someone away from the vehicle if they accidentally come in contact.

⚠ WARNING: To prevent personal injury and / or death, remove all jewelry such as watches, necklaces, and earrings. Remove all metal objects that are conductors of electricity.

⚠ WARNING: To prevent personal injury and / or death, or damage to property, inspect tool for wear / damage prior to use. Replace any worn or damaged components as necessary.

Tool Contents

Table 1

Image	Tool Number	Qty	Description
 <p>0000470372</p>	08-529-04	1	High-Voltage Battery Adapter Plate
 <p>0000160075</p>	4328806R1	1	Tool Instruction

Instructions

NOTE: Please reference International® Service PortalSM regarding any possible revisions to this document.

1. Refer to appropriate service manual for detailed instructions.

Care and Maintenance

- Keep tools clean and free of contaminants
- Replace any damaged components

Contact Information

If you would like to order additional tools or need replacement parts, please refer to the Navistar Service Tool Catalog. If you have questions, concerns, or feedback, please contact Navistar Service Tool Support Center:

- Submit a Service Tool iKNow Case File.
- Phone: 800-365-0088 (toll free).