

Tool Instruction Engine Support Tool

4328854R1

Tool Number: 12-000-04-04



0000477416

Figure 1. Engine Support Tool 12-000-04-04

Purpose

Essential tool used to support engine during transmission removal and installation.

Application(s)

2024 International® S13 Integrated Powertrain, 2024 International® S13 Engine

Application(s) (cont.)



GOVERNMENT REGULATION: Engine fluids (oil, fuel, and coolant) may be a hazard to human health and the environment. Handle all fluids and other contaminated materials (such as filters or rags) in accordance with applicable regulations. Recycle or dispose of engine fluids, filters, and other contaminated materials according to applicable regulations.



WARNING: To prevent personal injury, and / or death, or damage to property, read all safety instructions in the “Safety Information” section of the *Engine Service Manual* or *Engine Diagnostic Manual*.



WARNING: To prevent personal injury, and / or death, or damage to property, park vehicle on hard flat surface, turn the engine off, set the parking brake, and install wheel chocks to prevent the vehicle from moving in either direction.



WARNING: To prevent personal injury and / or death, always wear safe eye protection when performing vehicle maintenance.






WARNING: To prevent personal injury, and / or death, or damage to property, inspect tool for wear / damage prior to use. Replace any worn or damaged components as necessary.

Tool Contents

Table 1

Tool Contents (cont.)

Table 1. (cont.)

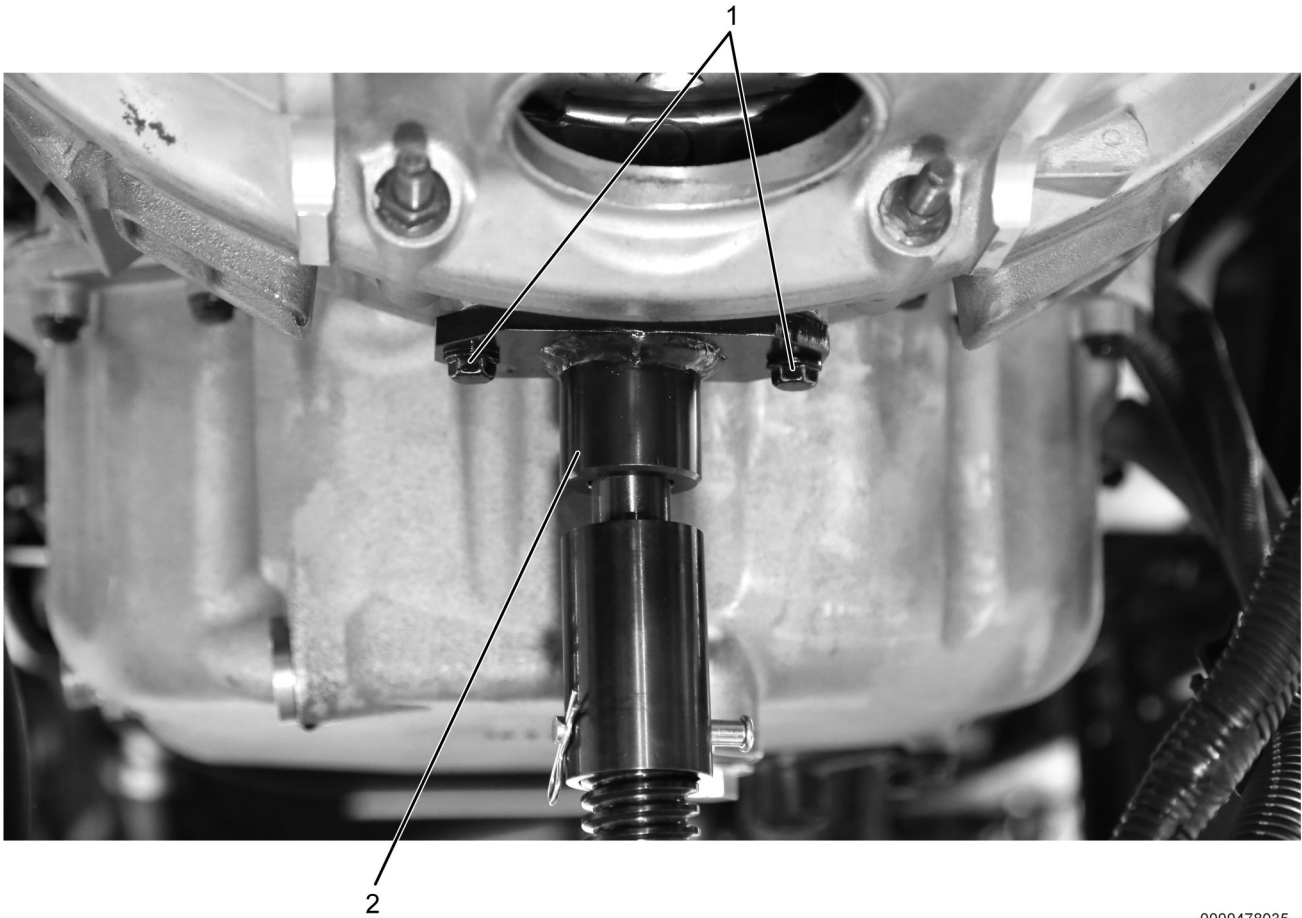
Image	Tool Number	Qty	Description
 <p>0000477418</p>	12-000-04-04-1	1	Engine Support Base
 <p>0000477417</p>	12-000-04-04-2	1	Engine Support Plate
 <p>0000160075</p>	4328854R1	1	Tool Instruction

Instructions

IMPORTANT: Please reference International® Service PortalSM regarding any possible revisions to this document.

1. To install tool, park vehicle on a level surface.
2. Shift transmission into Park or Neutral and apply parking brake.
3. Install wheel chocks.

Instructions (cont.)

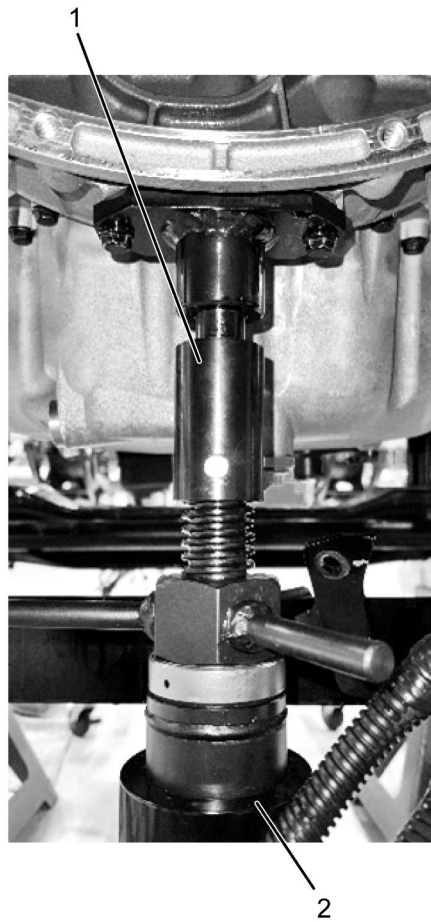


0000478035

Figure 2. Engine Support Plate 12-000-04-04 Installation

1. Hardware
2. Engine Support Plate
12-000-04-04-2
3. Remove inspection cover from bottom of flywheel housing.
4. Remove inspection cover from bottom of flywheel housing.
5. Install Engine Support Plate 12-000-04-04-2 (Figure 2, Item 2) to bottom of flywheel housing using hardware (Figure 2, Item 1) that held inspection cover in place.

Instructions (cont.)



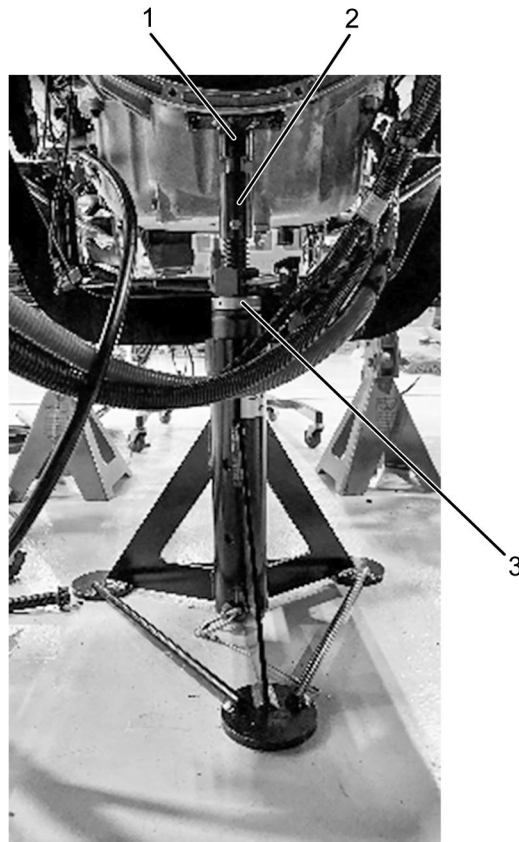
0000478036

Figure 3. Engine Support Plate 12-000-04-04 Installation

1. Engine Support Base
12-000-04-04-1
 2. Support Stand 12-000-04-03
-
6. Install Engine Support Base 12-000-04-04-1 (Figure 3, Item 1) to top of Support Stand 12-000-04-03 (Figure 3, Item 2). Secure with pin.

NOTE: When positioning the Support Stand below engine, ensure Support Stand will not interfere with transmission jack. Rotate base as necessary to provide clearance.

Instructions (cont.)

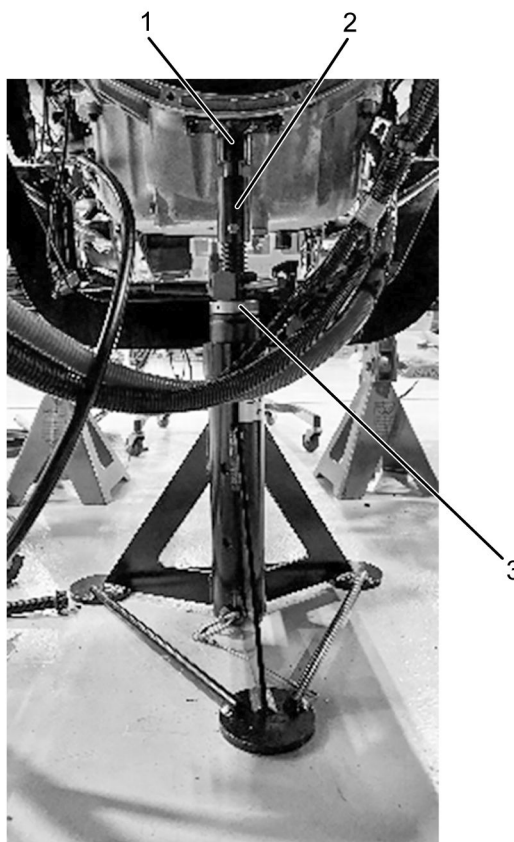


0000478037

Figure 4. Engine Support Plate 12-000-04-04 and Engine Stand Installation

- | | | |
|---|--|---|
| 1. Engine Support Plate
12-000-04-04-2 | 2. Engine Support Base
12-000-04-04-1 | 3. Engine Support Stand
12-000-04-03 |
|---|--|---|
-
- Place the Engine Support Stand 12-000-04-03 (Figure 4, Item 3) with the Engine Support Base 12-000-04-04-1 (Figure 4, Item 2) installed below Engine Support Plate 12-000-04-04-2 (Figure 4, Item 1).
 - Extend Engine Support Stand 12-000-04-03 (Figure 4, Item 3) until Engine Support Base 12-000-04-04-1 (Figure 4, Item 2) engages Engine Support Plate 12-000-04-04-2 (Figure 4, Item 1).

Instructions (cont.)

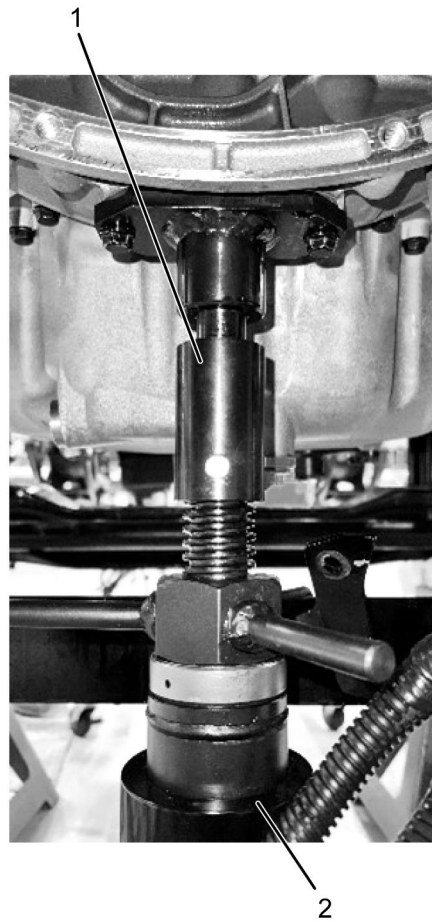


0000478037

Figure 5. Engine Support Plate 12-000-04-04 and Engine Stand Removal

- | | | |
|---|--|---|
| 1. Engine Support Plate
12-000-04-04-2 | 2. Engine Support Base
12-000-04-04-1 | 3. Engine Support Stand
12-000-04-03 |
|---|--|---|
9. With transmission installed and supporting the engine, retract the Engine Support Stand 12-000-04-03 (Figure 5, Item 3) until the Engine Support Base 12-000-04-04-1 (Figure 5, Item 2) disengages from the Engine Support Plate 12-000-04-04-2 (Figure 5, Item 1).
10. Pull Engine Support Stand out from under the engine.

Instructions (cont.)



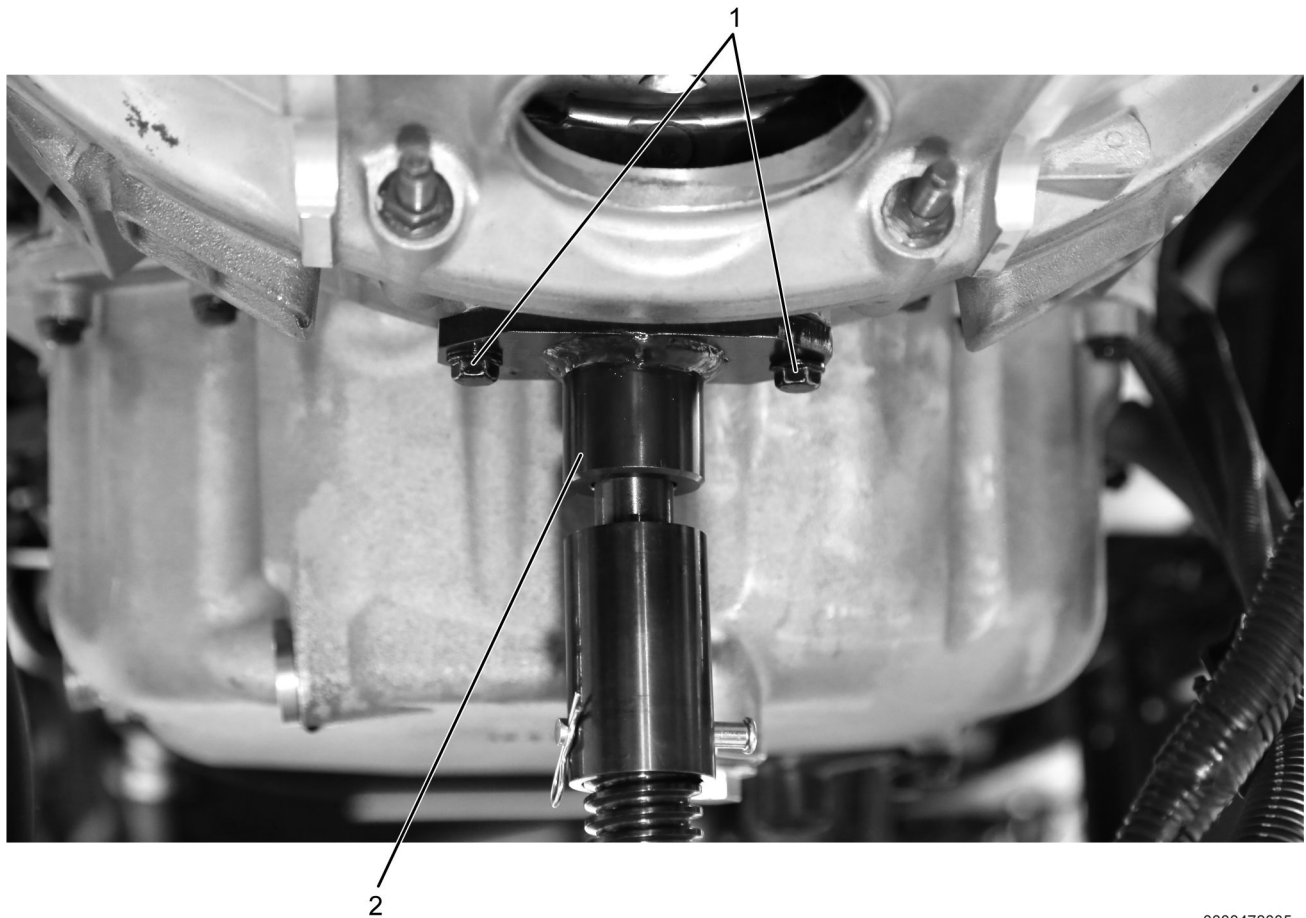
0000478036

Figure 6. Engine Support Plate 12-000-04-04 Installation

1. Engine Support Base
12-000-04-04-1
2. Support Stand 12-000-04-03

11. Remove and retain pin. Remove Engine Support Base 12-000-04-04-1 (Figure 6, Item 1) from Engine Support Stand 12-000-04-03 (Figure 6, Item 2).

Instructions (cont.)



0000478035

Figure 7. Engine Support Plate 12-000-04-04 Installation

1. Hardware
 2. Engine Support Plate
12-000-04-04-2
-
12. Remove hardware (Figure 7, Item 1) securing Engine Support Plate 12-000-04-04-2 (Figure 7, Item 2) from bottom of flywheel housing.
 13. Reinstall inspection cover with hardware (Figure 7, Item 1).
 14. Remove wheel chocks.

Care and Maintenance

- Keep tools clean and free of contaminants
- Replace any damaged components

Contact Information

If you would like to order additional tools or need replacement parts, please refer to the Navistar Service Tool Catalog. If you have questions, concerns, or feedback, please contact Navistar Service Tool Support Center:

- Submit a Service Tool iKNow Case File.
- Phone: 800-365-0088 (toll free).